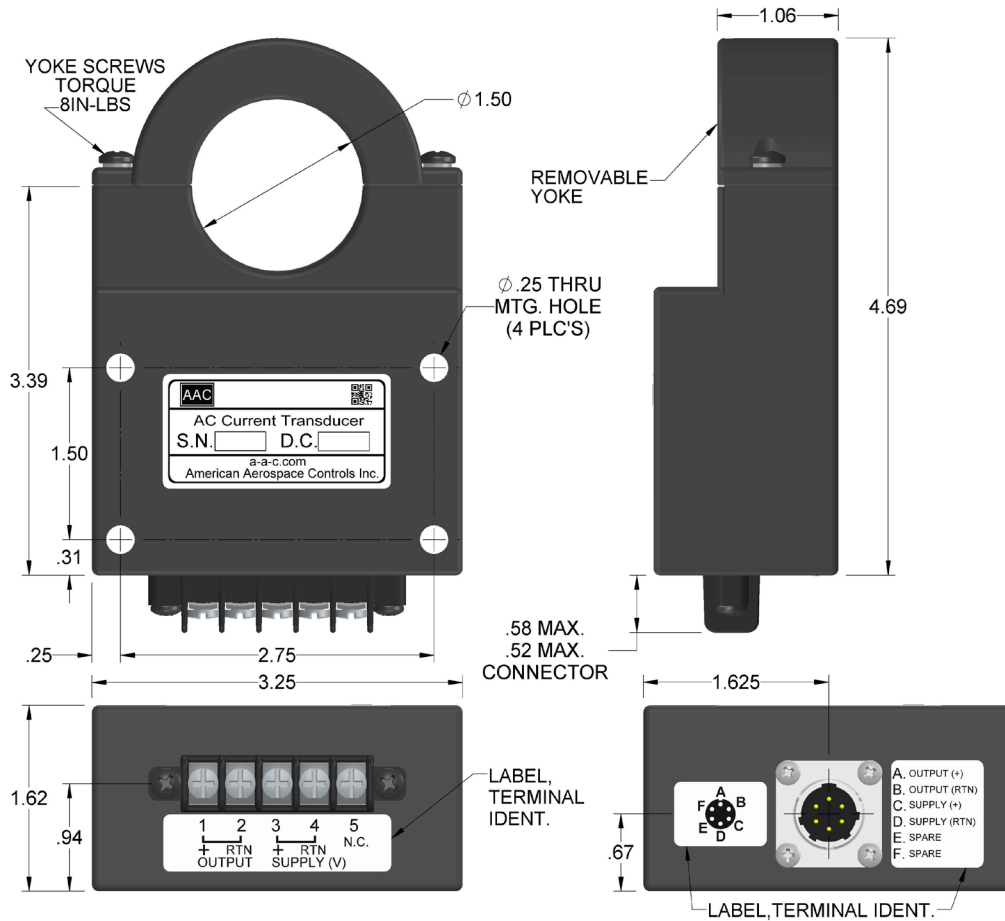


Dimensions in Inches, Tolerances: .XX ± .03 .XXX ± .010

**AC RMS CURRENT TRANSDUCER
SERIES S461
REMOVABLE YOKE TYPE**



PART NUMBER	INPUT CURRENT	PART NUMBER	INPUT CURRENT
S461-100	0 TO 100	S461-750	0 TO 750
S461-150	0 TO 150	S461-1000	0 TO 1000
S461-200	0 TO 200	S461-1500	0 TO 1500
S461-250	0 TO 250	S461-2000	0 TO 2000
S461-500	0 TO 500	S461-2500	0 TO 2500
S461-750	0 TO 750	S461-3000	0 TO 3000

INPUT

RANGE	See Table (DC or AC Peak)
FREQUENCY	DC to 480Hz
CREST FACTORS	Up to 5
OVERLOAD	2X range continuously, 10X for 10 sec.
ISOLATION	1KV RMS 60Hz/1min. Non-Insulated cable, 5KV RMS with Insulated cable.

OUTPUT

VOLTAGE SIGNAL	0 to 5Vdc (Full Scale)
ACCURACY	±1% FS (±50mV)
RESPONSE (0 to 90%)	100 m-sec
RIPPLE	25mV RMS @ 60Hz
LOAD	2K Ohms min.
TEMPERATURE COEFFICIENT	± .04% FS/°C max.
OUTPUT IMPEDANCE	10 Ohms max.
OUTPUT PROTECTION	Short circuit continuously

POWER SUPPLY

SUPPLY VOLTAGE	+11 to 32Vdc
CURRENT DRAIN	20mA max.
OVER VOLTAGE PROTECTION	±35Vdc without damage
REVERSE POLARITY PROTECTION	10µA max current drain without damage.

ENVIRONMENTAL AND PHYSICAL CHARACTERISTICS

OPERATING TEMPERATURE RANGE	-40°C to +85°C
STORAGE TEMPERATURE RANGE	-55°C to +85°C
DIELECTRIC STRENGTH	350V RMS (all terminals to case)
INSULATION RESISTANCE	100M-Ohms (all terminals to case)
ALTITUDE (OPERATING)	Sea level to 60,000 ft.
VIBRATION (OPERATING)	0.06 in. D.A., 10 to 55 Hz (Method 201 of MIL-STD-202)
SHOCK (OPERATING)	50g, 11 m-sec half sine pulse Method 213, Condition A of MIL-STD-202.
MOISTURE RESISTANCE	MIL-STD-810 method 507.1 Proc. 1
OPERATING HUMIDITY	0% to 95% RH
ATTITUDE	Unit will perform as specified when mounted in any position.
CASE MATERIAL (Molded Plastic)	UL flammability rating 94V-0
WEIGHT	18 oz. max.

BARRIER STANDARD:

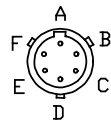
MOLDED TERMINAL BLOCK WITH 6-32 TERMINAL SCREWS, .325 IN. CENTER TO CENTER SPACING. ACCEPTS WIRE SIZES UP TO 16 AWG AND WIRE LUGS TO .250 IN. WIDE.

CONNECTOR OPTION

ADD -C AFTER PART NUMBER;
CONNECTOR P/N PT02E-10-6P-023.
MATING CONNECTOR PT06A-10-6S-023 OR EQUIV.

TERMINAL IDENTIFICATION

BARRIER		CONNECTOR
1	OUTPUT (+)	A
2	OUTPUT (RTN)	B
3	SUPPLY VOLTAGE (+)	C
4	SUPPLY VOLTAGE (RTN)	D
5	SPARE	E
NA	SPARE	F



CONNECTOR

AAC	Drawing Number 700-S461-1001	Rev. H
------------	---	-------------------